

R2 - Retractable HIGH Security Bollard

Bollard retracts below ground into sleeve, with visible drive-over cap. Extra strong and built-in tamper proof features.

Standard Features

- Premium class design manufactured in Western Australia
- Bollard manufactured from 100ØD x 4mm WT pipe Bollard
- **EXTRA STRONG** - Internal solid lockbar through centre of bollard & internal cover plate to prevent access to lock
- Tamper proof design - engineered to resist **SUSTAINED** professional attacks eg. no screws and entirely steel construction
- Lift handle lowers to be virtually flush with the top cap when not in use
- Corrosion resistant, galvanised steel, plastic primer & tough powder coat
- Versatile 6-pin key lock can be keyed to match existing keys

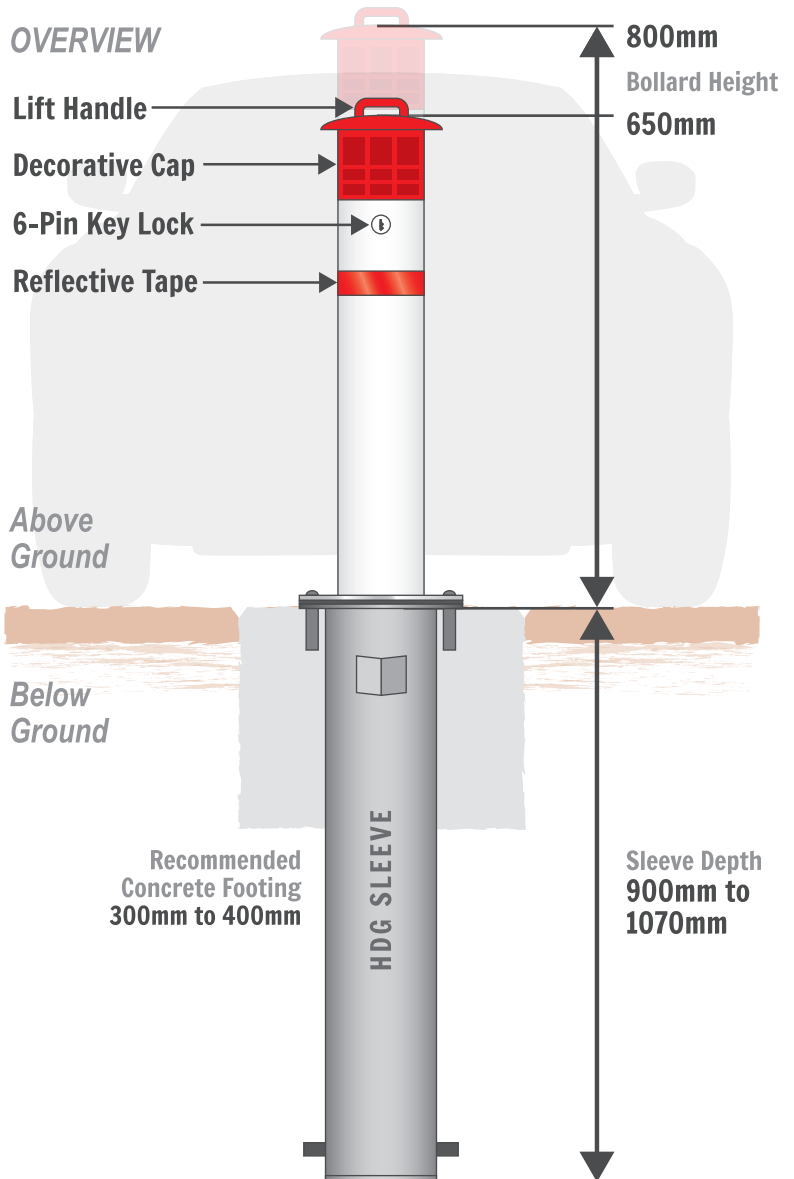
Optional Features

- Any height or standard pipe diameter
- Any Powder Coat colour or combination of body / cap (extra costs apply)
- Stainless Steel Grade 304 or 316
- Available in Weight Assisted (WA) and Removable (R) formats (see overleaf)
- Optional Pedestrian Cap - lift handle lowers to be virtually flush

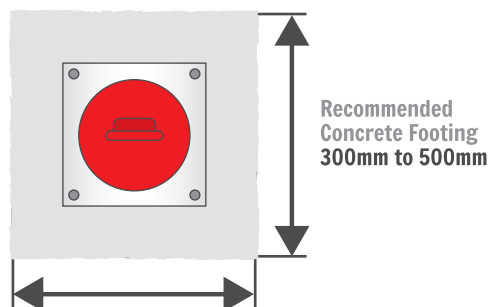
Australian Standards

- AS 1450 Steel Tube & AS4792 HDG Coating
- AS4506-2005 & AS3754-1990 Powder Coating
- AS 1627.4-2005 Abrasive Blasting
- AS 2700 Colour Standards

OVERVIEW



TOP VIEW

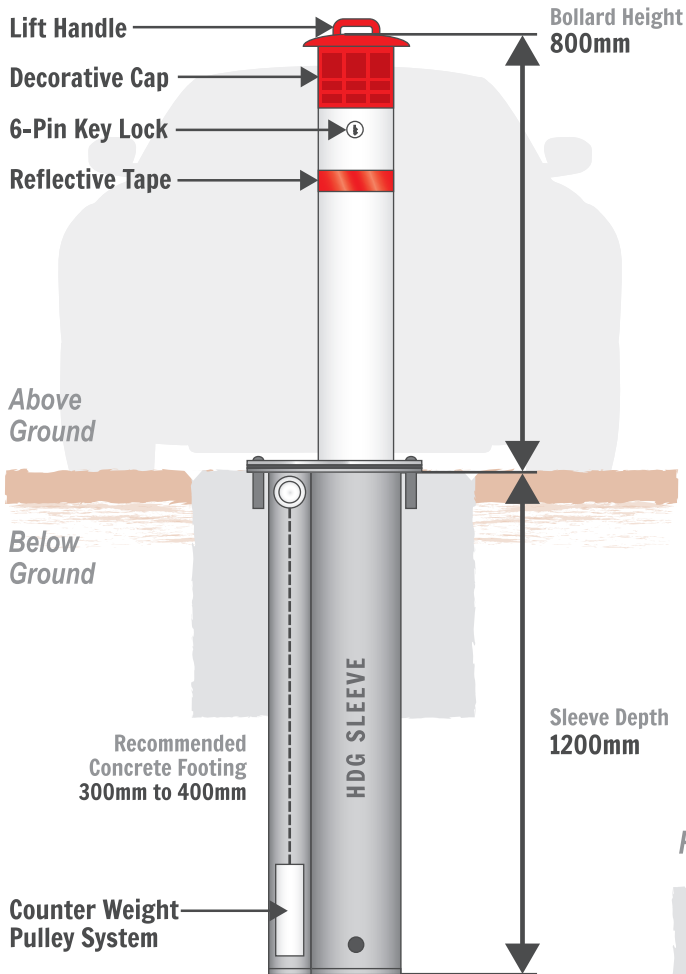


TOP PLATE SEAL DETAILS

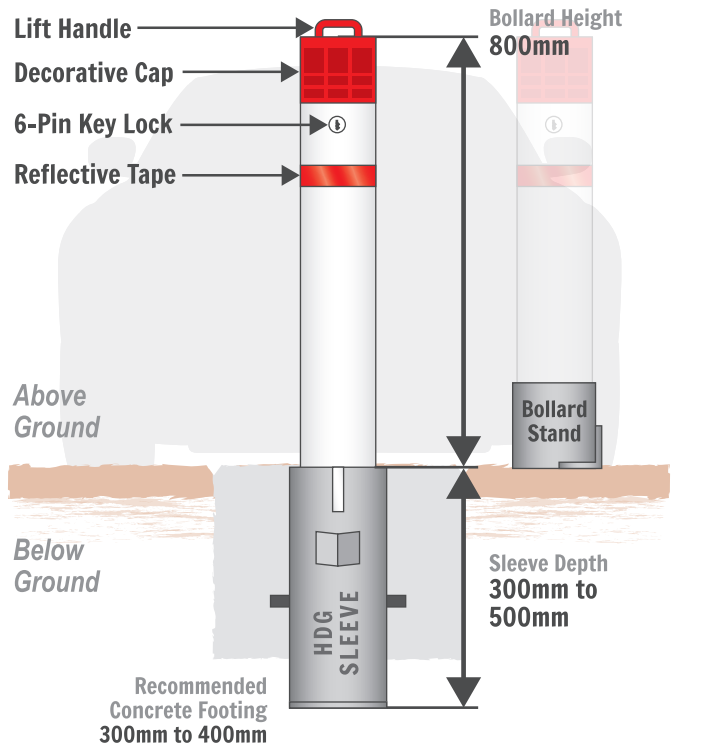


R2 - Retractable HIGH Security Bollard - Optional Models

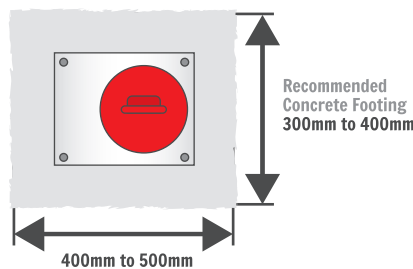
R2-800-WA



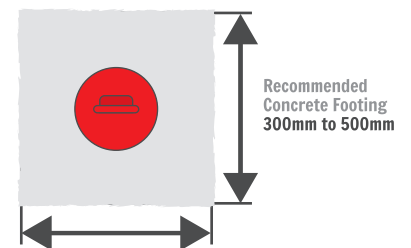
R2-800-R



R2-WA TOP VIEW



R2-R TOP VIEW



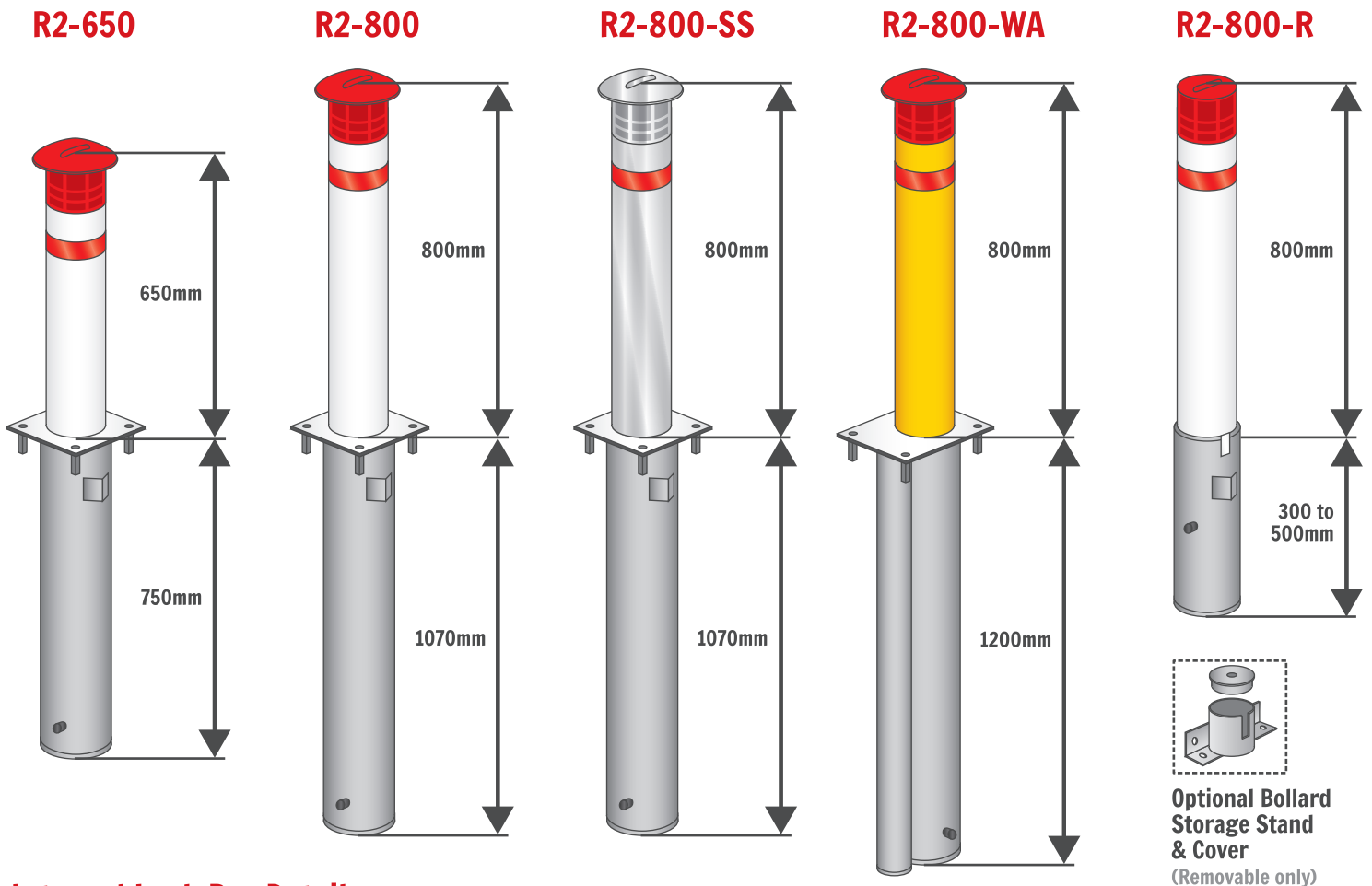
R2 Weight Assisted (WA) Features

- Weight assisted raising and lowering bollard, utilising a counter weight
- Virtually no manual lifting required, lowers with finger pressure alone
- OH&S recommended - the "Back Saver"
- Counter weight operating process, meaning more reliable & better suited to below ground environment

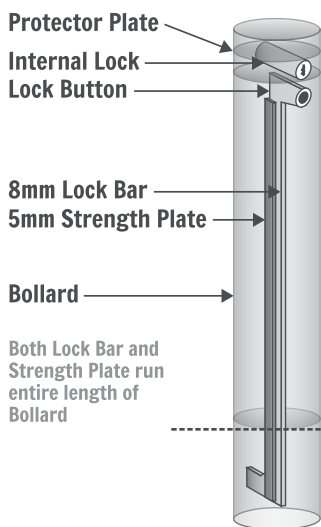
R2 Removable (R) Features

- Removal of bollard by lifting out of base sleeve
- Allows for storage of bollard separately on stand
- Ideal for shallow ground excavation

R2 - Retractable HIGH Security Bollard - Model Numbers



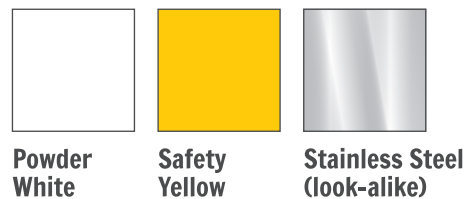
Internal Lock Bar Details



Cap Options



Available "Tough" Plastic Coatings
Stocked Standard Colours



Also available in any standard Dulux® powder coat colour. View range at www.duluxpowder.com.au. Additional costs may apply.

Additional finishes and sizing options also available upon request - ask our friendly staff for more information.